

## **Patented Master Key System pextra**

The security lock  
cylinder system with  
extra protection and  
long key patent life time

# Secure, certified and patented

## Extra patent protection

The pextra system is protected by the following patents:

- European patent EP 1 362 153 valid until 2022
- European patent EP 2686510 valid until 2032
- International patent application WO2012/088562 valid until 2032

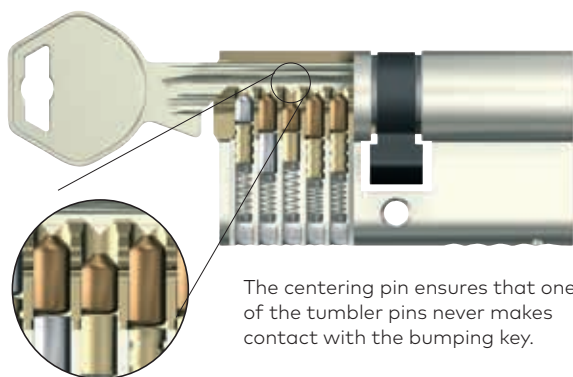


## Anti-picking protection

is provided by an overlapping key profile and special pins.

## Anti-drilling protection

is provided by additional steel safety elements in the cylinder.



The centering pin ensures that one of the tumbler pins never makes contact with the bumping key.

## High security standard

- EN 1303 Key Related Security Grade 4-6 with options - Attack Resistance Grade 2
- DIN 18252 Grade 71 (5 pins), Grade 82 (6 and 7 pins)
- VdS Grades B, BZ, and for master key systems

## For your personal security

Duplicate keys may only be produced by authorized dormakaba dealers upon presentation of the security card, that is provided with every dormakaba security lock cylinder. The customer can choose between three security levels when ordering duplicate keys. Keys may also be ordered on-line using TAN codes after registration by the owner.

## Extra protection against the "Bumping Method"

A patented system by dormakaba using a "centering pin" has been proven to hinder opening cylinders by the "bumping" method. Even expert lock pickers have not been able to "bump" open a pextra cylinder, which was shown live on Dutch television.

## pextra cylinders can do more than just unlock doors

dormakaba offers a variety of special functions that offer more security and value in master key systems, for example:

- Self changing cylinders - special keys can change the keying up to two times without replacing the cylinder
- Personnel key - the employee's key can only retract the latch, another key operates the bolt as well

## Extra key protection



The branch groove holds the blocking pin in place in the barrel. The key can be turned in both directions.



Without the branch groove, the blocking pin is pushed into the key profile by a housing pin.



The housing pin protrudes above the shear line and blocks the key from turning.

# Keyed alike lock cylinders or master key systems



## Master key systems for private homes, public offices or building complexes

pextra makes it possible to define access for private homes, companies or public buildings. The customer decides who has access with which key and where.

Your authorized dormakaba dealer provides professional advice and consulting.

## One key for all

The pextra system can be used in all types of cylinders (double, single and thumbturn profile cylinders, furniture locks, padlocks, key switches, camlocks, surface mounted door locks and many more.

## The specialty of pextra:

Cylinders can be ordered so that they can be opened with one single key (keyed alike cylinders).

## Cylinder range



Thumbturn cylinder



Single cylinder



Padlock



Double cylinder



Rim cylinder



Furniture lock

Authorized Dealer:

dormakaba Deutschland GmbH  
DORMA Platz 1  
58256 Ennepetal  
T: +49 2333 793-0  
F: +49 2333 793-49 50  
[www.dormakaba.com](http://www.dormakaba.com)