



Go Keyless

We make access in life smart and secure

HD Smart Padlocks

dormakaba HD Padlocks are keyless, heavy-duty, industrial strength locks with an intelligent core. Using the dormakaba software platform and mobile app, you control who, when, and where the padlock is used.

Access from anywhere in the world.

These powerful locks are tamper-resistant, work in harsh environments, and are available with a shrouded shackle for extra protection.

Smart Access Platform

Fast, simple and secure access through an easy to use dormakaba cloud-based web portal and mobile app (iOS and Android).

Track data

- View lock activity in real-time
- View lock and user history
- Track locks and create lock groups and teams
- Monitor and manage audit trails
- See all active locks and lock activity according to time/date

Manage Users

- Create users and teams
- Customise access permissions
- Send notifications
- See and manage user and group activity

Control Locks

- Add and manage locks
- Customise lock backup access methods (quick click)

Advantages at a glance:

Bluetooth 4.0

Bluetooth Smart technology

Cloud-Based Key Transfer

Keys are stored on secure servers to prevent compromising sensitive data

End To End Encryption

Double-secured transmissions using end-to-end 128-bit AES encryption

Cryptographic Key Protocol

Keys assigned based on permission levels and used to encrypt all communication to and from the lock

Custom Security Layer

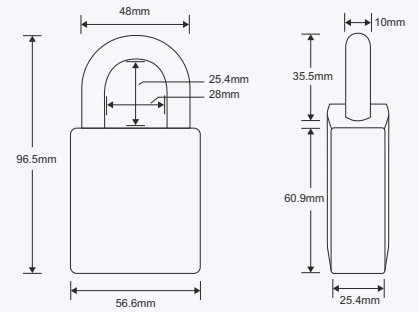
Additional custom-built encryption protocol prevents Bluetooth replay attacks



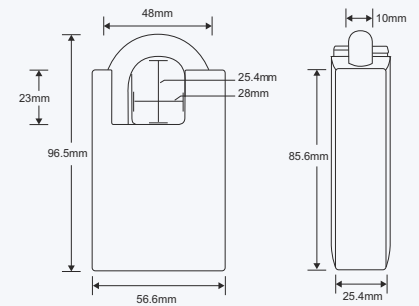
Specifications

Features

Shackle (Interchangeable)	25mm: available in 6.35mm, 8mm and 10mm thickness 50mm: available in 8mm and 10mm thickness
Material	Shackle: Boron-hardened steel Body: Hardened steel with electroless nickel plating
Strength Test Rating	CEN Grade 4
Weight	HD: 555g HD+: 670g
Battery Life	3+ years
Battery Type	1/2 AA or CR2
Operating Temperature	-40°C to 74°C
Weather Resistance Rating	IP67
Protective Cover	Optional accessory to provide an extra layer of protection against heavy and continuous impact
Compatibility	iOS: iOS 9 or newer or Android: OS 5.1 or newer
Certification	CE FC Ex RoHS REACH



HD SMART PADLOCK

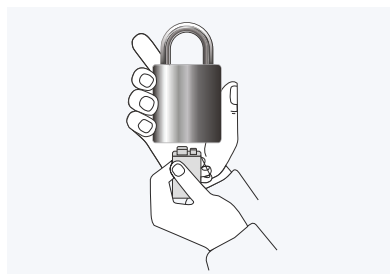


HD+ SMART PADLOCK

SHACKLE OPTIONS

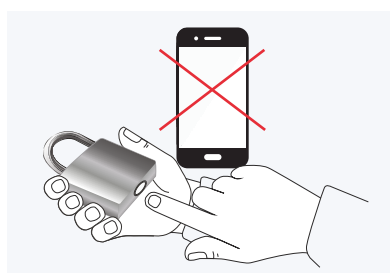


Access Backup



Lock Without Power?

Allows users to touch an external 9V battery to the base of the lock to give the lock a jump-start. Once powered, open the lock with the mobile app or Quick-Click code.



Without Mobile Phone?

dormakaba HD Padlock Quick-Click Feature:
A custom code can be created and enables users to simply key in a series of short and long taps on the padlock's special sensor.

Subject to technical alterations.

dormakaba India Private Limited
Plot No. 48/3, Mahindra World City
8th Avenue, Anjur Village
Chengalpattu District
Tamil Nadu 603002. INDIA
T +91 44 67 400 200
enquiry.india@dormakaba.com
www.dormakaba.com/in-en

SERVICE TOLL FREE
1-800 -121- 6414