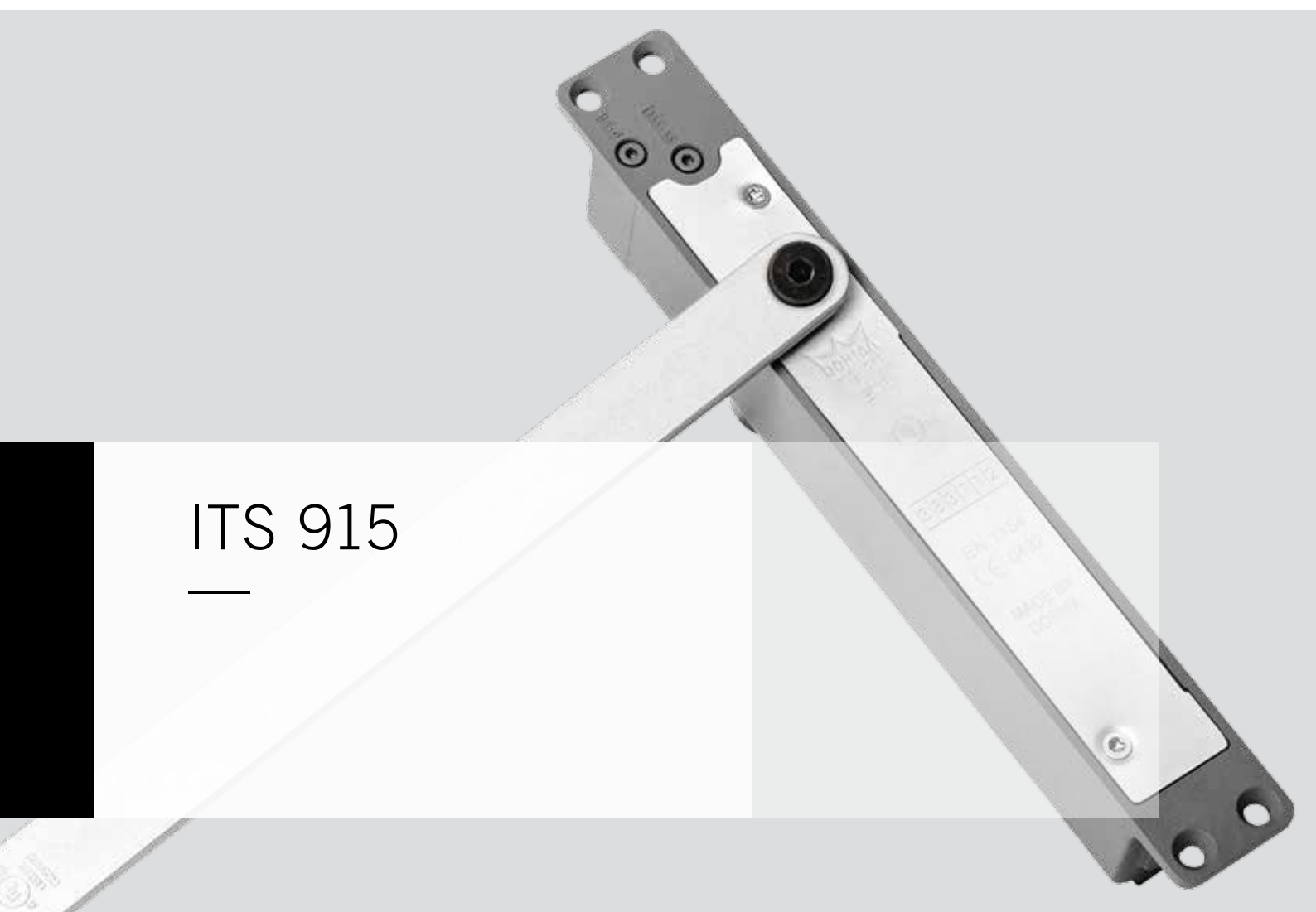


ITS 915

—

Concealed Cam-action Door Closer



# QUALITY-ASSURED CONCEALED OVERHEAD DOOR CLOSER

ITS 915 Cam-action door closer is designed and manufactured to high quality standards, performing in compliance with EN 1154. The product is carrying CE marking.

As a concealed door closer ITS 915 can be installed directly in the door or frame, making it virtually invisible. The compact design of the closer body and slide-channel allow the door to maintain a high level of integrity. ITS 915 offers all the benefits

of advanced technology with the proven heart-shaped cam. It ensures that closing and opening of the door is easy for everyone.

ITS 915 provides the reliability and quality which all DORMA products are well-known for.

### Plus Points

#### For the trade

- Hassle-free ordering and inventory management – Closer body (non-handed) and slide-channel arm assembly in one box for ease of handling.

#### For the installer

- Ease of installation – Compact concealed cam-action (non-handed system) door closer with identical mounting position for both size 3 and size 4.
- Easy adjustment of the two closing speeds separately.

#### For the architect/specifier/designer

- Unblemished appearance of prestige doors – concealed installation.
- Innovative engineering and design by DORMA.

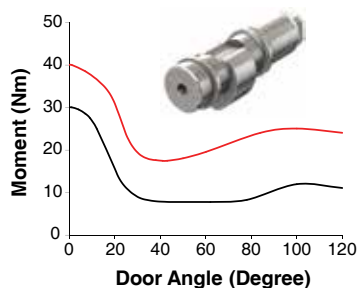
- Compliance with statutory requirements for barrier-free building (C UL US Listed and tested to EN 1154 by the State Material Testing Authority, Dortmund, Germany).

#### For the user

- Barrier-free with DORMA Easy Open technology – Easy access for all users and for children, seniors and the physically-disabled.
- Convenience and Comfort – optional hold-open device and cushioned limit stay.
- Enhanced protection against vandalism – concealed installation.

Features		EN 3	EN 4
Standard doors	up to 950 mm	●	–
	up to 1100 mm	–	●
Fire and smoke check doors	up to 950 mm	●	–
	up to 1100 mm	–	●
Door leaf thickness		≥45 mm	≥45 mm
Max door leaf weight in kg		60	80
Non-handed design		●	●
Slide channel		●	●
Closing speed adjustable by valve		●	●
Latching speed adjustable by valve		●	●
Cushioned limit stay		●	●
Hold open		○	○
Maximum door opening angle		115°	115°
Dimension in mm	Length	267	267
	Body Length	230	230
	Width	36	36
	Height	57	57
Door Closer certified to EN 1154		●	●
C UL US listed		●	●
CE mark for building products		●	●
Suitable for barrier-free building to DIN 18040		●	●

● Yes – No ○ Option



Moment profile of an ITS 915 cam-action door closer (EN 4)

— Opening Moment  
— Closing Moment

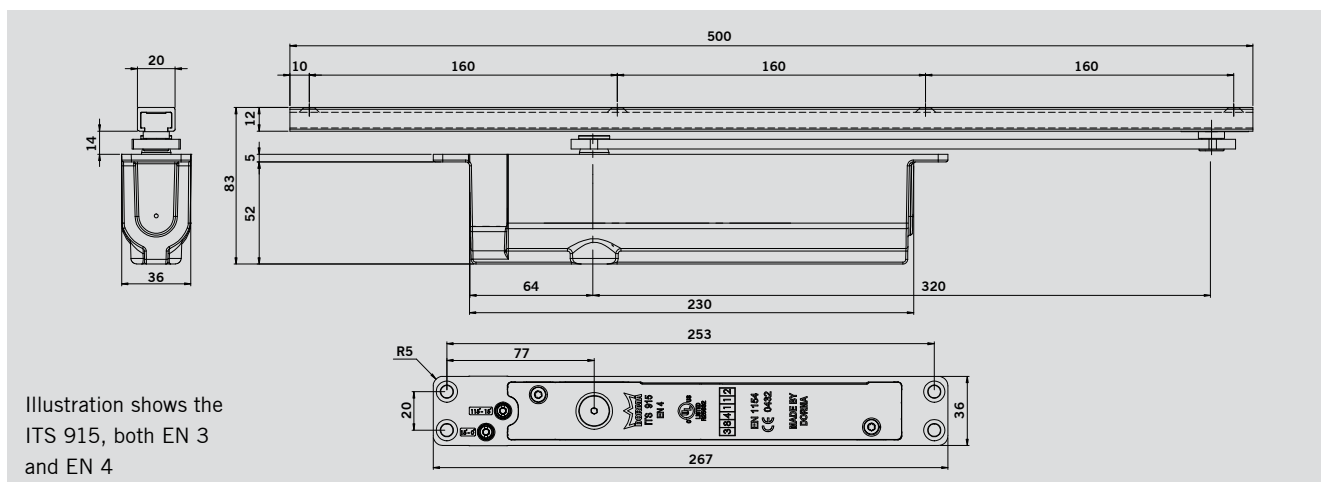


Illustration shows the ITS 915, both EN 3 and EN 4

## ENGINEERING AT ITS BEST FOR EASY ACCESS

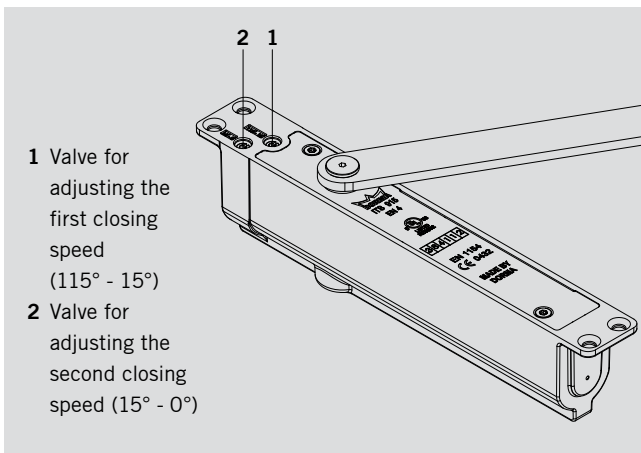
Engineered by DORMA, the inventor and leader of cam-action door closers, ITS 915 concealed door closer ensures that the door can be opened with exceptional ease for effortless access. The compact ITS 915 can be installed for complete visual concealment in

the door and frame. The system is optimally designed with selective strengthening of the closer body and a slim slide channel. At the same time, it offers the same level of user-convenience expected from high-quality door closers, combined with a wide range of

functionality. Its slender inclined body means that it can be easily installed in virtually all doors with a leaf thickness of 45mm or more, while it can operate doors up to 1100 mm with the same mounting locations. It offers easy adjustment with two independent valves.



## VALVE ADJUSTMENT FOR SOLID CLOSING PERFORMANCE



### Adjustment settings

The first and second closing speeds of the DORMA ITS 915 can be adjusted at any time, even after the door has been hung.

### Specification text

Cam-action door closer to EN 1154 for integration in the door leaf or frame, with rapidly decreasing opening resistance, for easy door opening. Non-handed with slide channel arm. ITS 915 complies with DIN 18040.

### F Approval certification

The DORMA ITS 915 is approved by the State Material Testing Authority, Dortmund, in accordance with EN 1154.

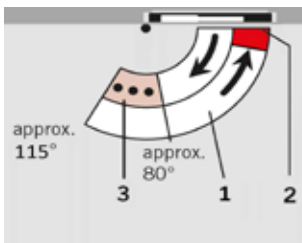
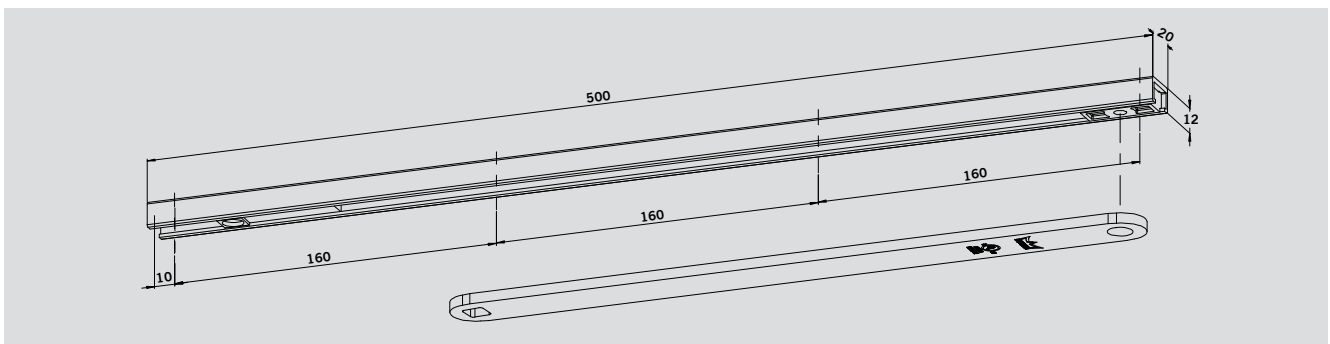
### Size

EN 3, EN 4

### Make

DORMA ITS 915

## SLIDE CHANNEL



The ITS 915 set includes the arm, slide channel, slide block, cushioned limit stay and fixing screws.



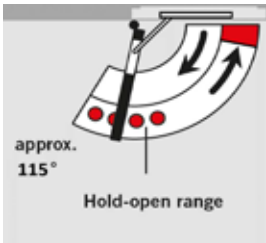
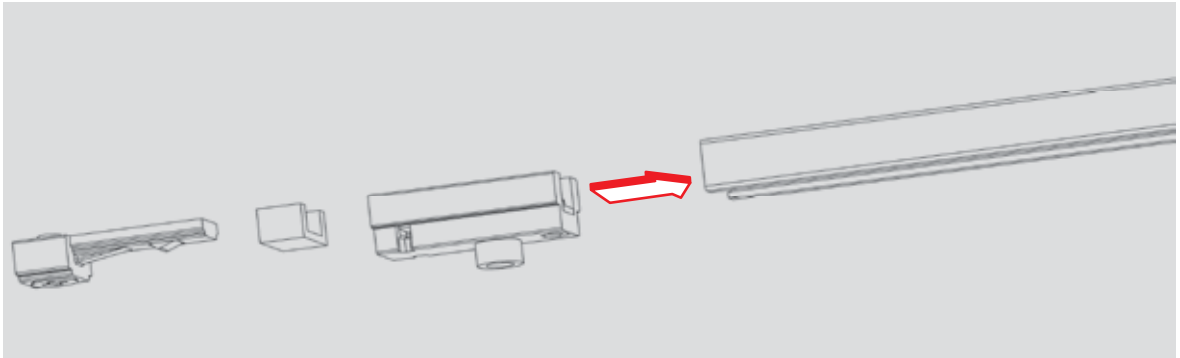
### Cushioned limit stay

The mechanically-integrated cushioned limit stay of ITS 915 is progressively damped to protect the wall and doors from damage when the door is opened too wide (under conditions of normal usage). It can be adjusted to an opening angle between approximately 80° and a maximum of 115°.

**The cushioned limit stay feature is not an overload protection device and in many cases cannot replace a doorstop.**

- 1 First adjustable closing speed
- 2 Second adjustable closing speed
- 3 Cushioned limit stay

## HOLD-OPEN UNIT

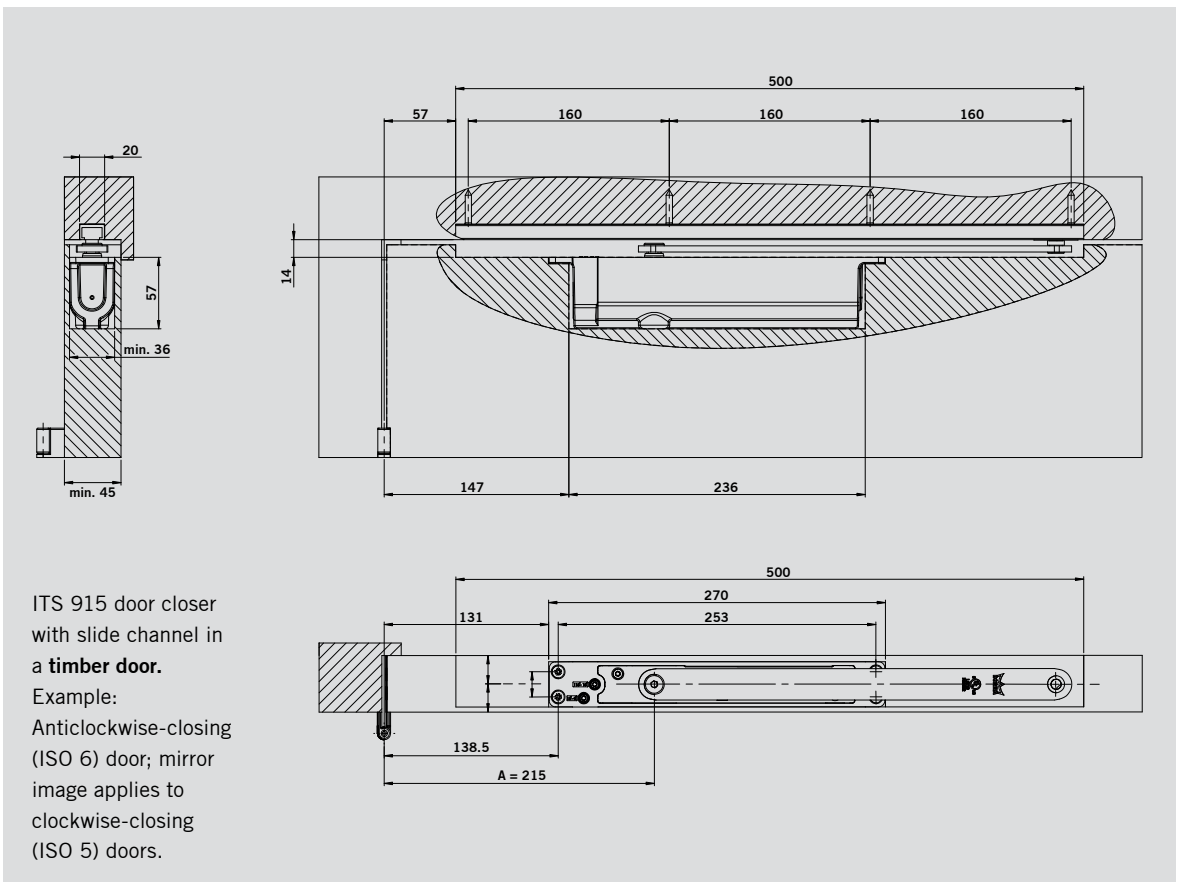


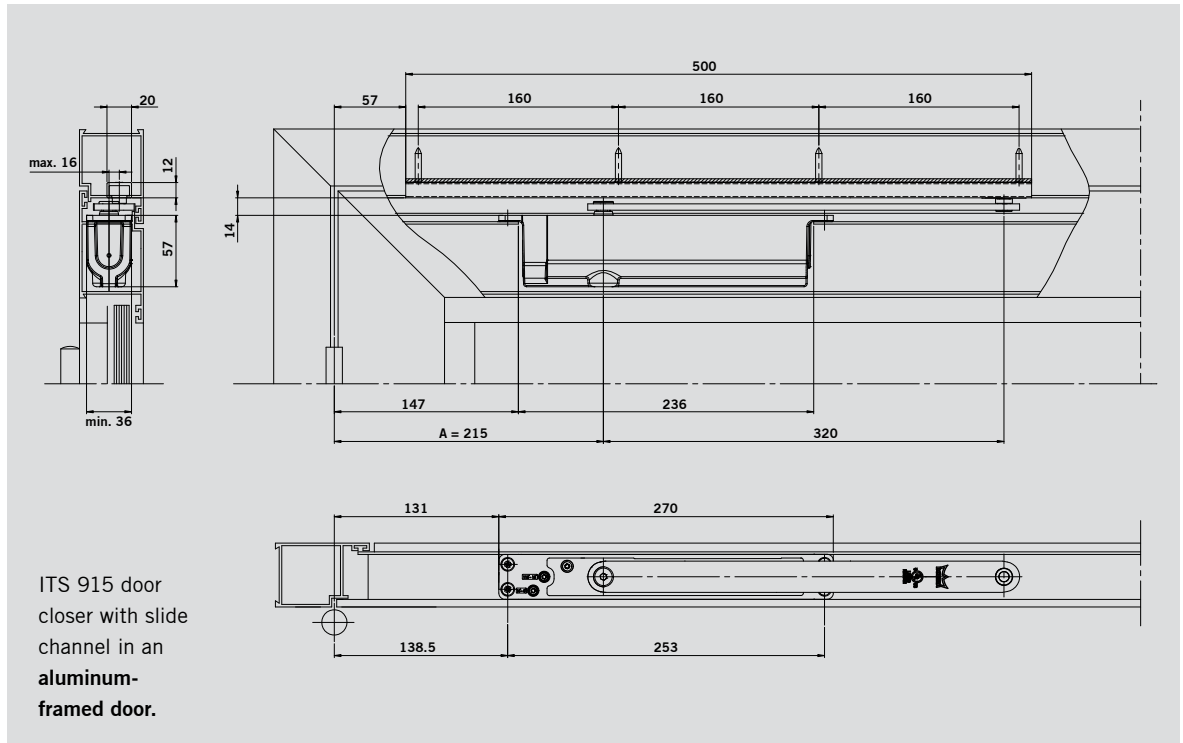
The hold-open unit enables doors to be securely held without any fall-back at precisely the required position up to an opening angle of approximately 115°. No adjustment is needed for pull-off force.

The mechanism is non-handed and has been specifically designed for retrofitting to the slide channel.

**Not for fire and smoke check doors.**

## INSTALLATION DRAWINGS





## ITS 915 RANGE OF EQUIPMENT

ITS 915	EN 3	52760150
ITS 915	EN 4	52770150
Hold-Open Unit for ITS 915		52009301



DORMA Door Controls  
Company Limited  
Room 701, 7/F Technology  
Plaza, 651 King's Road,  
North Point,  
Hong Kong  
Tel : +852 2503 4632  
Fax : +852 2887 5370  
[www.dorma.com.hk](http://www.dorma.com.hk)

DORMA Far East Pte. Ltd.  
Singapore  
31 Gul Lane  
Singapore 629425  
Tel : +65 6268 7633  
Fax : +65 6265 7995  
+65 6459 0137  
[www.dorma.com.sg](http://www.dorma.com.sg)  
Co. Reg. No. 1981-03135-W

Taiwan  
Tel : +886 2 2709 6611  
Fax : +886 2 2709 9911

Thailand/Cambodia/Laos/  
Myanmar  
Tel : +66 2 236 4994/5/6  
Fax : +66 2 236 4997

Vietnam  
Tel : +84 8 62 888 748  
Fax : +84 8 62 888 701

DORMA Korea Inc.  
Tel : +82 31 776 0051  
Fax : +82 31 776 0054

DORMA Hueppe Asia (Malaysia)  
Tel : +60 7 5985 730  
Fax : +60 7 5985 729

DORMA Far East Sdn. Bhd  
Malaysia/Brunei  
Tel : +603 7665 1683  
Fax : +603 7665 1680

DORMA Philippines Corp.  
Tel : +63 2 893 4078  
Fax : +63 2 845 1108

PT DORMA Far East (Indonesia)  
Tel : +62 21 2930 3762  
Fax : +62 21 2930 3763

